

Sonny's Custom Shop

Custom Vintage Style Guitar Pickups Made to Order
Electric Guitar Setups and Repairs

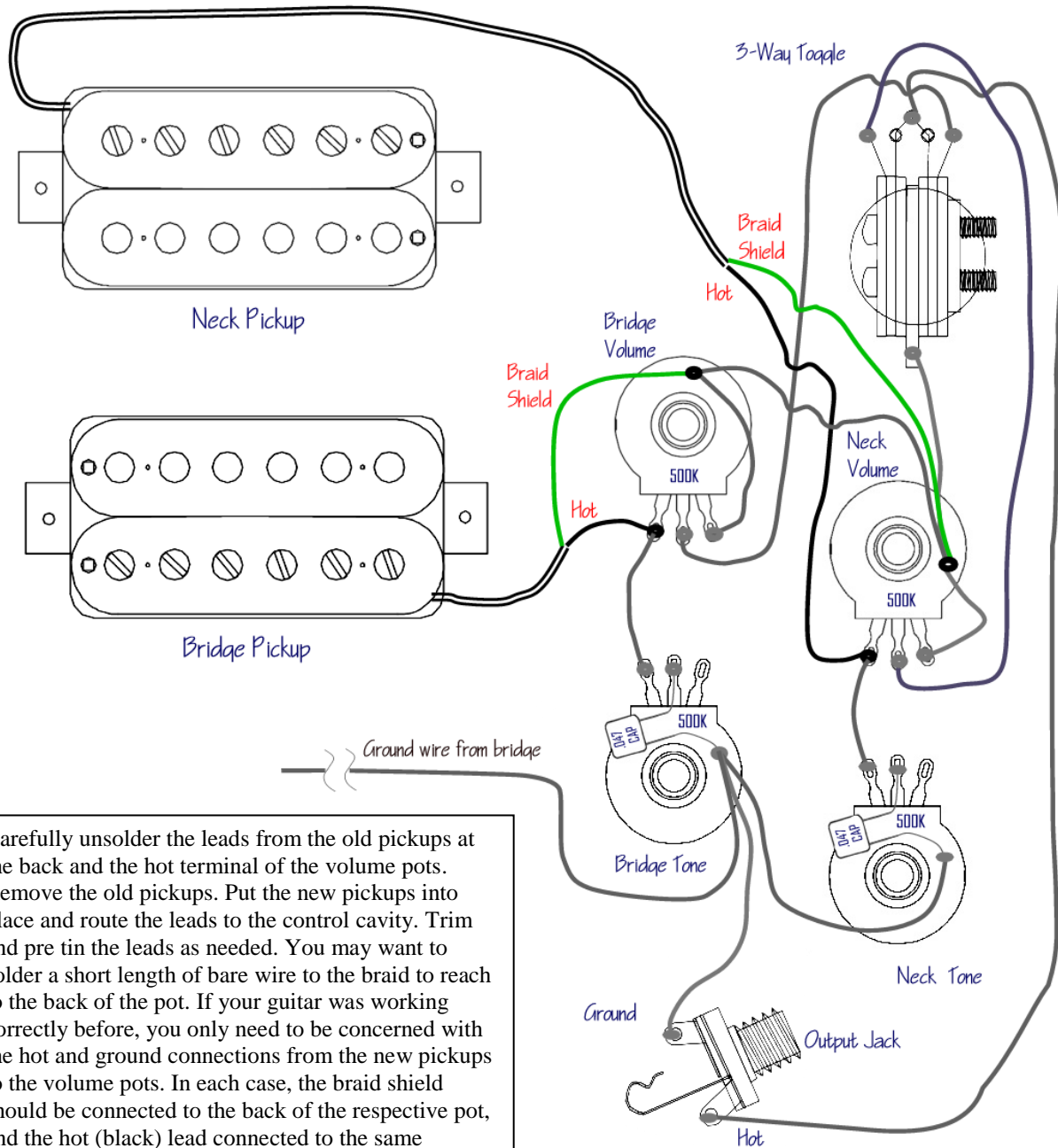


Wiring Diagram

Model _____

Serial # _____

Vintage Style Wiring - 2 Pickups, 2 Volume, 2 Tone, 3-Way Toggle



Carefully unsolder the leads from the old pickups at the back and the hot terminal of the volume pots. Remove the old pickups. Put the new pickups into place and route the leads to the control cavity. Trim and pre tin the leads as needed. You may want to solder a short length of bare wire to the braid to reach to the back of the pot. If your guitar was working correctly before, you only need to be concerned with the hot and ground connections from the new pickups to the volume pots. In each case, the braid shield should be connected to the back of the respective pot, and the hot (black) lead connected to the same terminal of the volume pot that you removed the old one from. Make sure not to let the wires move while the solder is cooling. You want a nice shiny solder joint. Replace the covers and re-string the guitar. Adjust the pickup height as needed. Start with the screw poles about 1/8 inch from the strings when they are pressed down to the fretboard.